

# Luna

The automation soldering unit for Lead free soldering

- **Touch panel**  
The touch panel input and display achieve user friendly programming and the operation.
- **Low cost**  
7 soldering parameters can be memorized with full function.
- **Side or Vertical install**  
Easy and flexible configuration, either side or vertical fixing.
- **Sleep mode setting**  
If Luna does not operate for more than a few minutes, it drops the iron temperature down automatically to avoid a tip oxidation.
- **DC power and the direct heating**  
The world wide recognition TM style iron unit gurantee minimum tact time and the best quality, soldering at lower temperature.

LUNA-S Side model



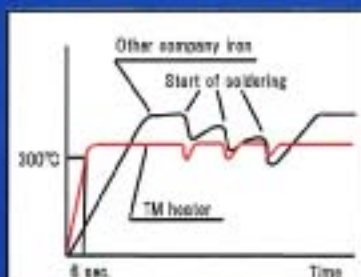
LUNA-L Vertical model



Solder feeder



TM iron+RTC Temperature control



- **Geyan ZSB feeder (option)**  
Geyan ZSB solder wire allows cutting method prevents spattering of flux and solder ball.
- **Multipul voltage input**  
Multipul consistant input power board is built-in for the constant heating.  
(AC85~264V)

Iron unit



For point soldering



For slide soldering

# SPEC

Model	Luna
Power	AC85~264V 50/60Hz
Supply air	4~5Kg/cm <sup>2</sup>
Solder wire	φ0.4~1.6mm
Solder parameter	7 conditions
Iron temperature	0~500°C
Heater capacity	60W (90W:Option)
Solder step	10 steps
Solder command	8
Sleep mode temp.	250°C (can be altered)
Ex. operation box	Available as option

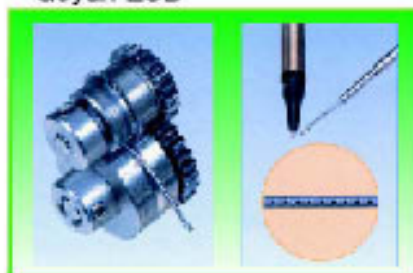
## Type

Luna - L SP +  +   
 or S SP + Iron unit type Solder diameter  
 or L CO +  
 or S CO +

L : Vertical display type    S : Side display type  
 SP : Solder feeder and the controller separate  
 CO : Solder feeder and the controller combined

## Options

Geyan ZSB



The built-in roulette blade cuts directly to the flux core while precisely feeding wire solder. We guarantee Zero Solder Ball along with high quality result.

STC-3000



Tip scrapping cleaner

SRC-1000



Wet sponge roller cleaner

**Apollo Seiko Ltd.**

8-4-11, Ikegami, Ohtaku, Tokyo

Japan 146-0082

TEL: +81-3-3753-7911

TEL: +81-3-3753-7801

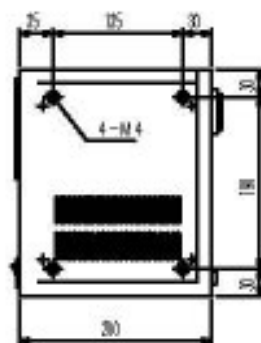
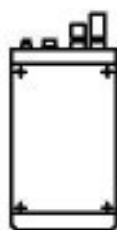
URL: <http://www.apolloseiko.co.jp>

[www.etneo.com](http://www.etneo.com)

Email: [info@etneo.com](mailto:info@etneo.com)

## Dimension

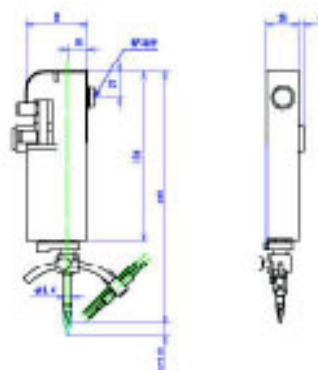
★Luna



★Solder feeder



★Iron unit (For point soldering)



Agent:

**Etneo Italia**

Scientific & Technology Park  
 Via Bovio 6 - 28100 NOVARA  
 ITALY

Tel +39 0321 697.200

Fax +39 0321 688.515